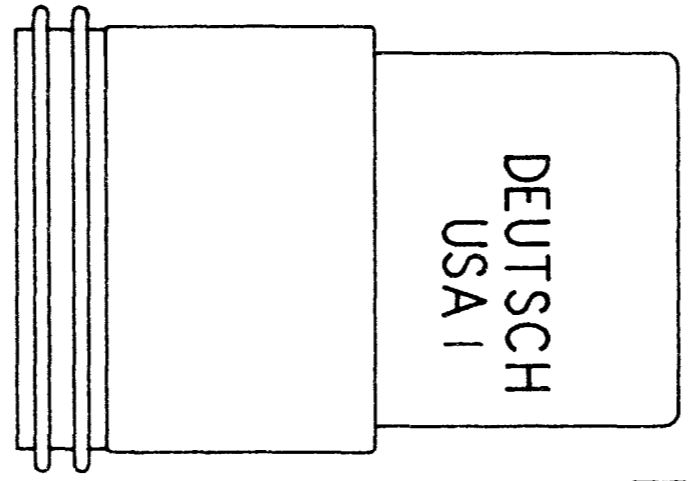
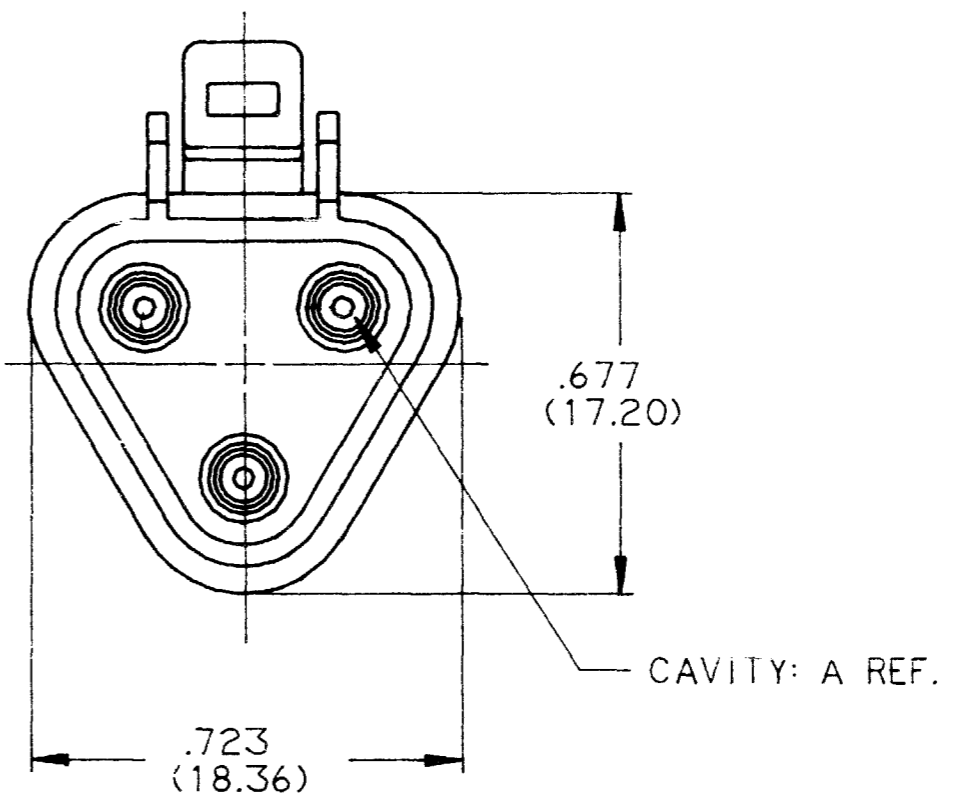
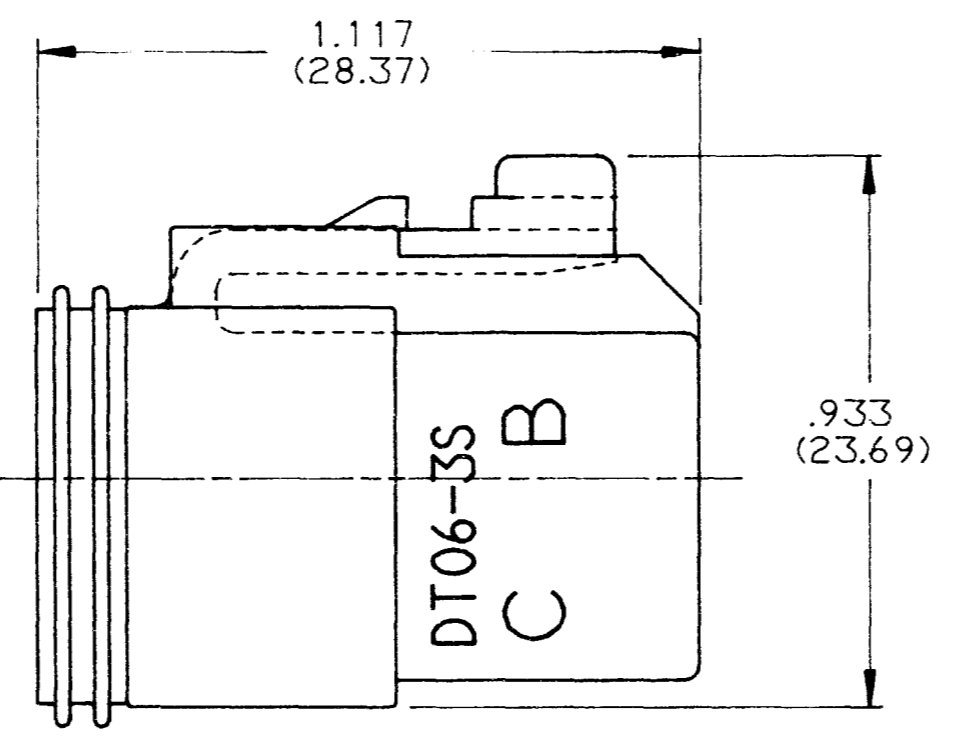
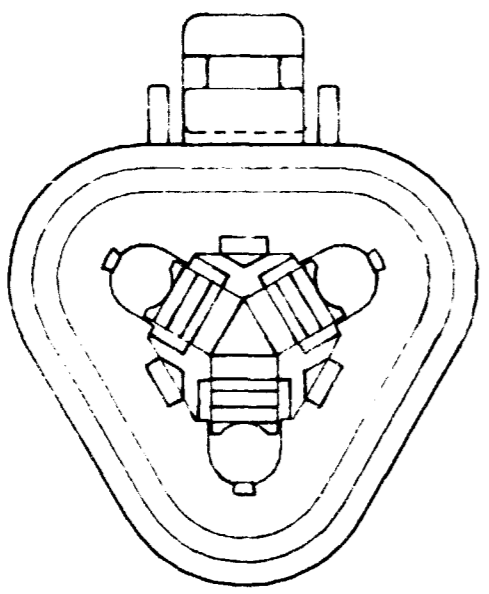


REV
NC DT06-3S-CE02

REVISIONS			
SYM	DESCRIPTION	DATE	APPROVED
NC	NEW RELEASE PER E.O. A14555	2/4/94	<i>[Signature]</i>



- NOTES:
1. ALL DIMENSIONS ARE IN INCHES (METRIC)
 2. ALL DIMENSIONS ARE FOR REFERENCE ONLY.
 3. CONSULT FACTORY FOR CONTACT SPECIFICATION AND APPLICATION.
 4. THIS CONNECTOR CAN PASS THRU A ONE INCH HOLE.

SIGNATURE & DATE	
DR	C. WOODRUFF 10FEB94
CHK	
PE	<i>[Signature]</i>
	2-11-94
APPD	
SCALE NONE	WT —

3 WAY PLUG
 COLOR: BLACK
 THIN WALL WIRE SEALS
 D.T. SERIES

ENVELOPE

CP	MATL CODE
The Deutsch Company DEUTSCH I.P.D. 37140 INDUSTRIAL AVE. HEMET, CALIF. 92343	
DT06-3S-CE02	
DWG SIZE	CODE 11139 SHEET 1 OF 1